

D.D.E. DYNAMIC DEVICES EUROPE SRL

SISTEMI DI POSIZIONAMENTO



SISTEMI DI POSIZIONAMENTO



Description	Image	Model	Specification
Supine Head Baseplate		KL/-T-2	1. Carbon Fiber Material 2. Application: Orfit type, 3-Points Head Mask
		KL/-T-2-A	Acrylic Material
		KL/-T-1	1. Carbon Fiber Material 2. Application: Civco type, Uni-Frame Head Mask
		KL/-T-1-A	Acrylic Material

Tilting Supine Head Baseplate		KL/-T-1Z	1. Carbon Fiber Material; 2. Application: Civco type, Uni-Frame Head Mask 3. Adjustable Tilting angles: from 0 to 45°
		KL/-T-1Z-A	Acrylic Material

Head-Neck-Shoulders Baseplate (Orfit Type)



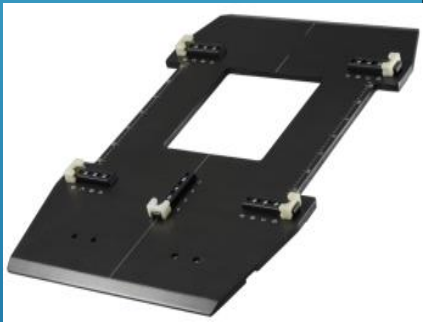
KL/-J-4A

- 1. Carbon Fiber with Scale On Both Sides**
- 2. Size: 52.7×52cm**
- 3. Application: Orfit type, 3/4/5-Points Mask**

KL/-J-4A-A

Acrylic Material

Head-Neck-Shoulders Baseplate (Civco Type)		KL/-J-1A	<ol style="list-style-type: none"> 1. Carbon Fiber Material 2. Size: 80×61cm 3. Equipped with a Transparent Head Support 4. Application: Type-S Mask
		KL/-J-1A-A	Acrylic Material
		KL/-J-3A	<ol style="list-style-type: none"> 1. Carbon Fiber Material 2. Size: 105×61cm 3. Equipped with a Transparent Head Support 4. Application: Type-S Mask

Belly and Pelvis Baseplate (Civco Type)		KL/-F-6A	<ol style="list-style-type: none"> 1. Size: 80×60×1.2cm 2. Carbon Fiber Material with Scale On Both Sides 3. Leg Separator 4. Application: HipFix Mask
		KL/-F-6A-A	Acrylic Material

**Belly and
Pelvis
Baseplate
(Orfit Type)**



KL/-F-5

- 1. Size: 50×70×1.2cm**
- 2. Carbon Fiber Material with Scale On Both Sides**
- 3. Leg Separator**
- 4. Application: Orfit type, 4/6-Points Pelvic Mask**

KL/-F-5-A

Acrylic Material

**Integrated All
Body Bellyboard
(Orfit Type)**



KL-DF135

- 1. Size: 145×50×2cm**
- 2. Ray Transmittance: 6mv>98.2**
- 3. Maximum Load: 150kg**
- 4. Application: Uni-Frame Head Mask,
3-Points Head Mask; 4/5-Points
Head & Shoulders Mask; 4/6-Points
Pelvic Mask; 2-point Breast Mask.**

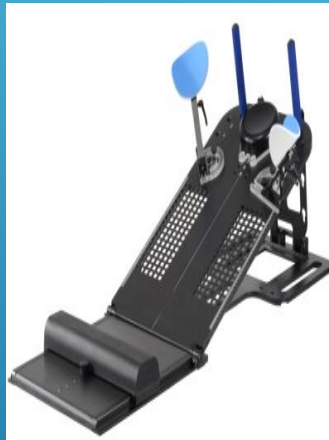
**Integrated All Body
Bellyboard
(Civco Type)**



KL-DF136

- 1. Size: 130×61×2cm or 130×52×2cm**
- 2. Ray transmittance: 6mv>98.2**
- 3. Maximum Load: 150kg**
- 4. Application: Uni-Frame Head Mask; Type-S Head; Neck & Shoulders Mask; HipFix Mask**

**Carbon Fiber
Mammy Gland
Breastboard**




KL/TJ-1

- 1. Size: 80×42 cm**
- 2. Maximum load: 120kg**
- 3. Ray transmittance: $\geq 98.5\%$**
- 4. Standard Configuration:
Treatment Panel, Baseplate, Arm
Supports, Hip Anti-Slip, Handles,
Head Support.**

KL/TJ-1-A Acrylic Material

<p>Prone Breast Positioning System</p>		<p>KL-DF138</p>	<ol style="list-style-type: none"> 1. Size: 130× 61cm or 130× 52cm 2. Standard Configuration: <ul style="list-style-type: none"> Prone fixation cushion (1 set) Carbon Fiber Baseplate (1 piece) Carbon fiber Prone-Head Baseplate (1 set) Prone Head Supports (1 set)
<p>Supine Breast Positioning System</p>		<p>KL-DF139</p>	<ol style="list-style-type: none"> 1. Size: 130× 61cm or 130× 52cm 2. Standard Configuration: <ul style="list-style-type: none"> Supine Breast Fixation Cushion (1 set) Carbon Fiber Baseplate (1 piece) Carbon Fiber Supine Head Supports (1 set)
<p>Integrated Lower Limbs Positioning System</p>		<p>KL-DF140</p>	<ol style="list-style-type: none"> 1. Size: 130× 61cm or 130× 52cm 2. Standard Configuration <ul style="list-style-type: none"> Carbon Fiber Baseplate (1 piece) Carbon Fiber Supine Head Supports (1 set) Knees Fixation Cushion (1 piece) Feet Fixation Cushion (1 piece)

Integrated Prone Bellyboard		KL/DB-FS	1. Complexes Material with a Square Bore 2. Size: 120× 50cm, 10cm thickness
		KL/DB-F	1. Carbon Fiber Material with a Square Bore 2. Size: 120×50cm, 10cm thickness

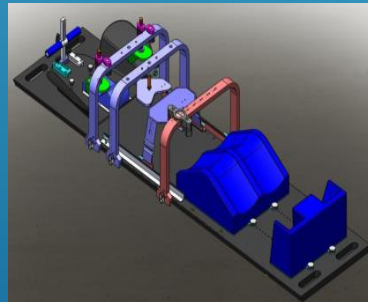
SBRT
(Stereotactic Body
Radiotherapy)



KL-DF133

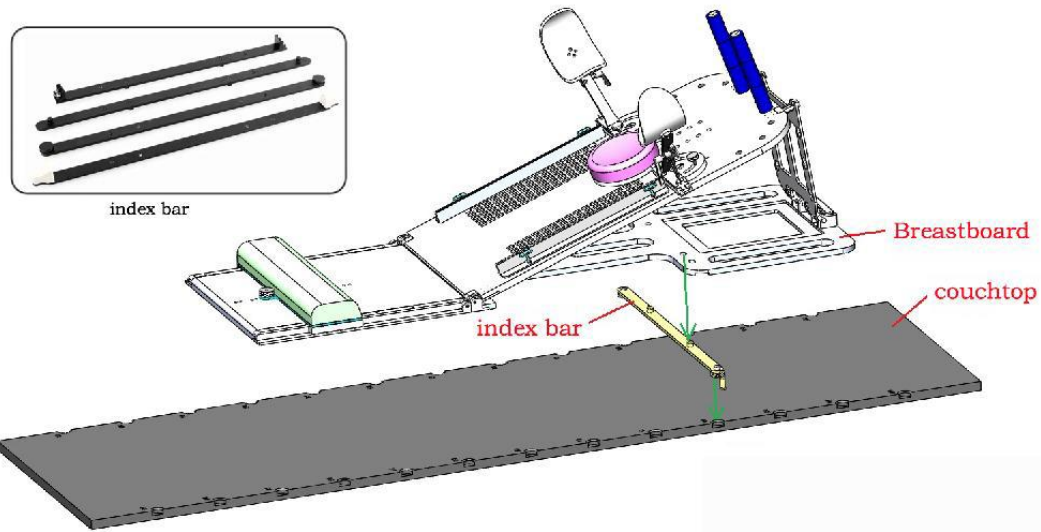
1. Size: 145×50cm, 2cm thick.
2. Maximum loads: 150kg.
3. X-Ray transmittance: >98.2 (6mv x-ray).
4. Uni-Frame Head Mask, 3-Points Head, 4-Points Head-Neck, 5-Point Neck-Shoulders Mask and 4-Points Belly & Pelvis Mask are available.
5. Including one set of bow form ruler and laser locator.

SBRT
(Stereotactic Body
Radiotherapy)

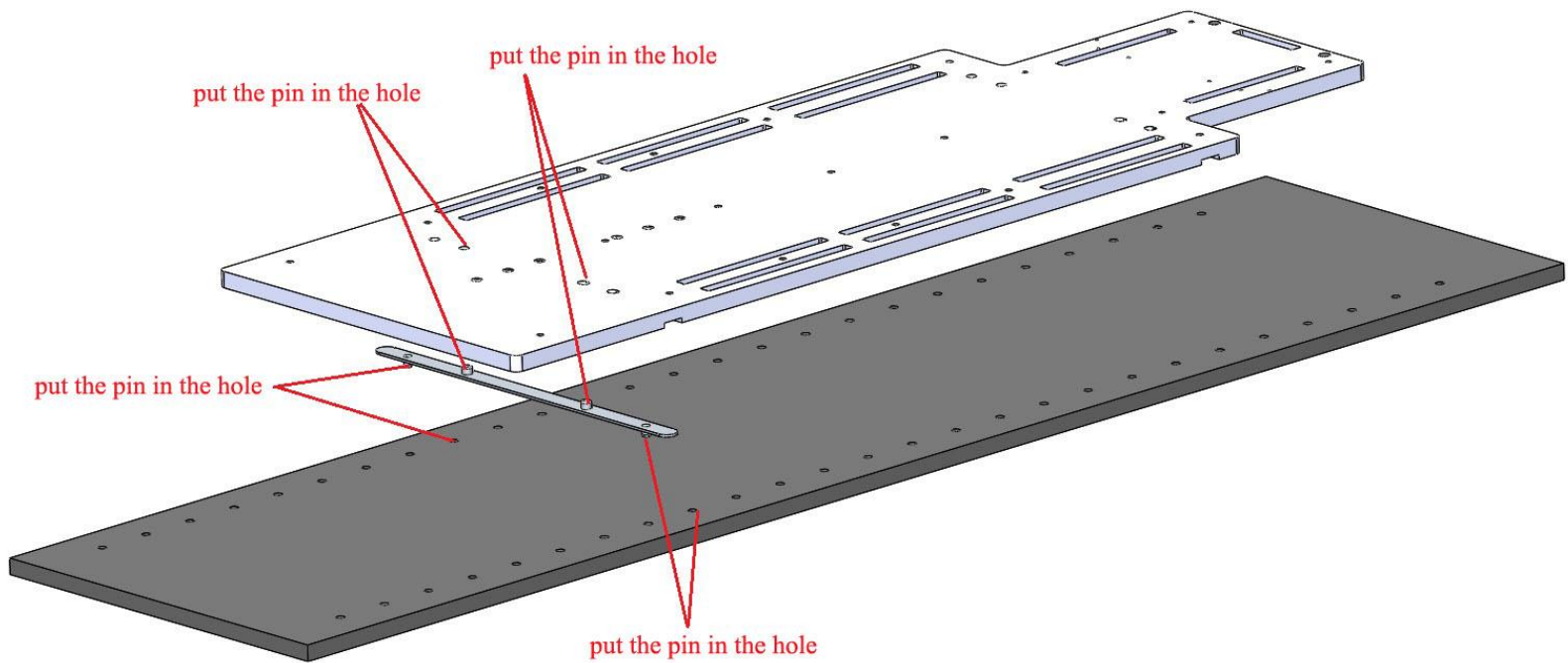


KL-DF148

1. Size: 200×48cm.
2. Configuration: Carbon Fiber Baseplate, Carbon Fiber Arm Fixed Device, Carbon Fiber Shoulder Fixed Device, Carbon Fiber Breathing Divice, Laser Locator and Lower Limbs Positioning System etc.



ESEMPIO DI INSTALLAZIONE BASE



Barra compatibile Elekta



Barra compatibile Varian





D.D.E. Dynamic Devices Europe Srl

Sede Operativa: Via Tonale n. 5 – 20021 Baranzate MI

Sede Legale: Via C. A. Ottaviano n. 6 – 20015 Parabiago MI

Ufficio Segreteria: tel. 0238202015 – tel. 0230062006

mail: segreteria@ddeitalia.it

Ufficio Amministrativo: tel. 0238205963 – fax 0238205963

Mail: amministrazione@ddeitalia.it

Ufficio Commerciale: tel. 0230062006 – cell. 3349804344

Mail: commerciale@ddeitalia.it